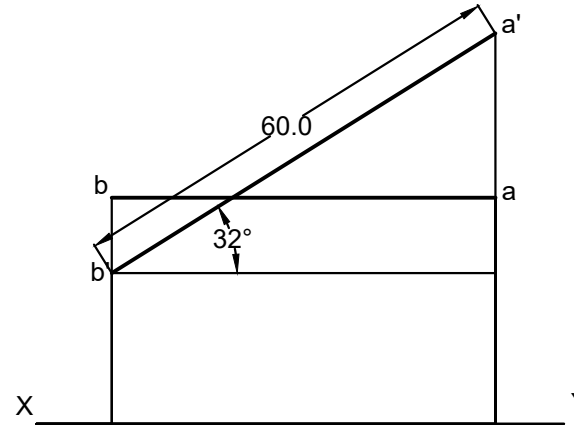
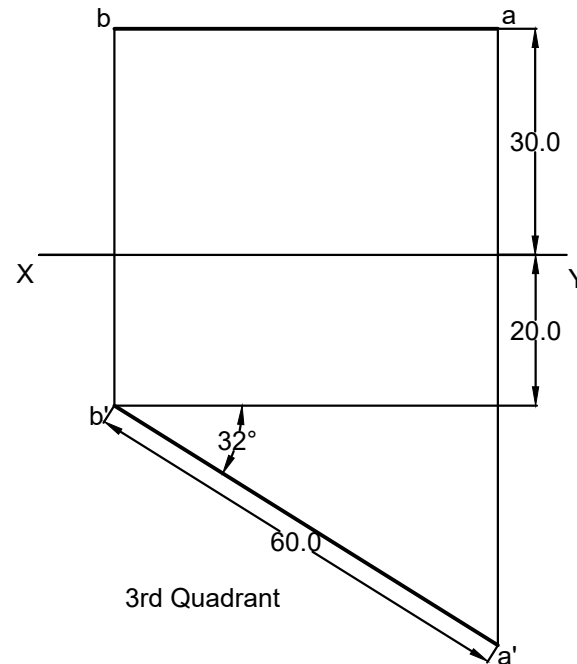


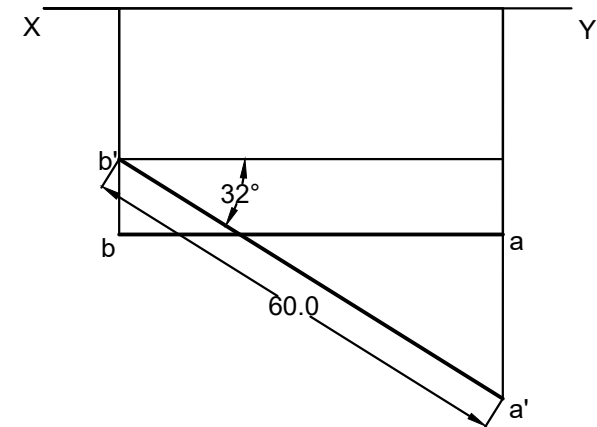
1st Quadrant



2nd Quadrant



3rd Quadrant



4th Quadrant

ALL DIMENSIONS ARE IN MILLIMETERS UNLESS OTHERWISE SPECIFIED

## CHANDIGARH UNIVERSITY

NAME: KUIZZER

Drawing

ROLL NO.:

DRAWING SHEET NO.:

BRANCH:

CHKD BY: