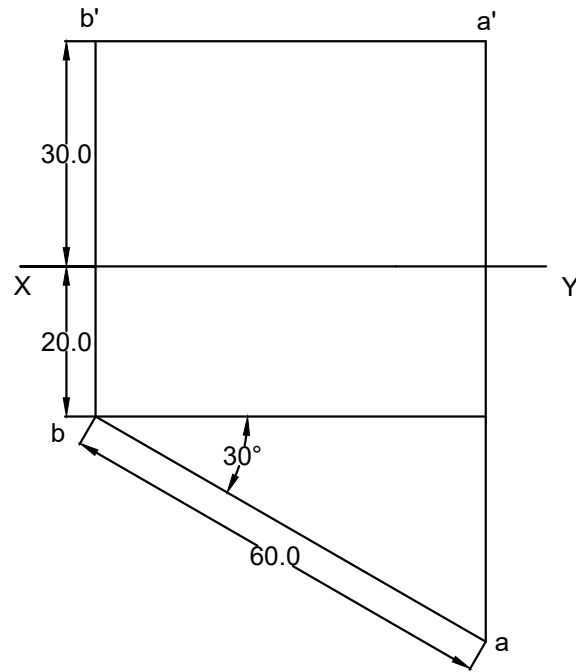
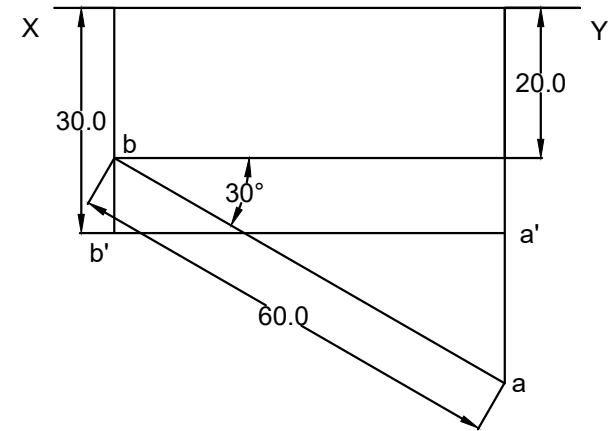


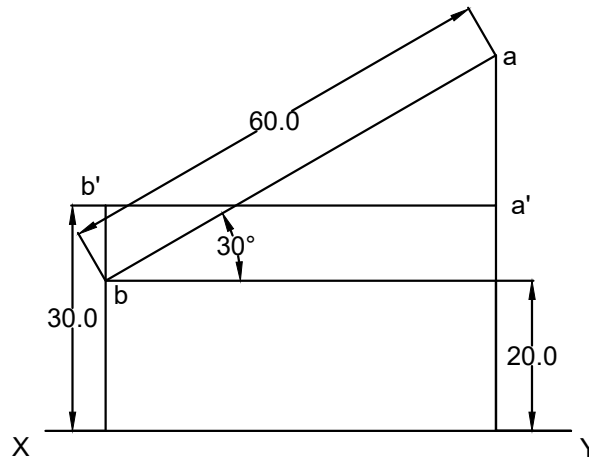
1st Quadrant



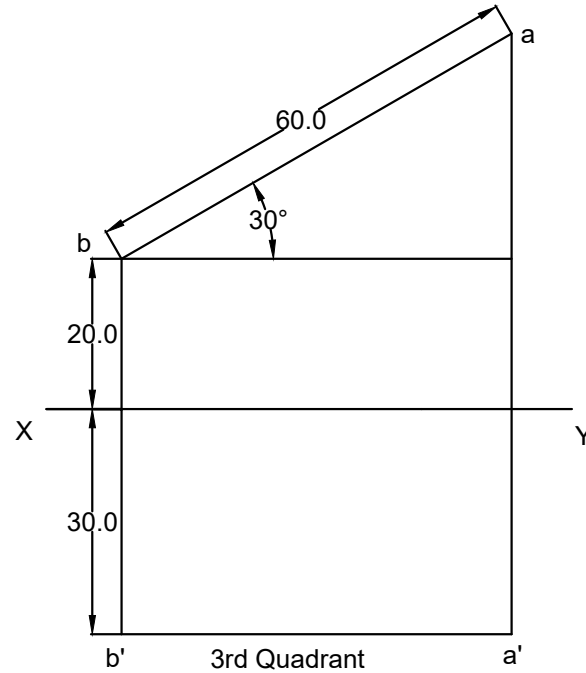
4th Quadrant



2nd Quadrant



3rd Quadrant



ALL DIMENSIONS ARE IN MILLIMETERS UNLESS OTHERWISE SPECIFIED

CHANDIGARH UNIVERSITY

NAME: KUIZZER

Drawing

ROLL NO.:

DRAWING SHEET NO.:

BRANCH:

CHKD BY: